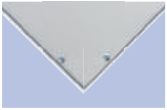
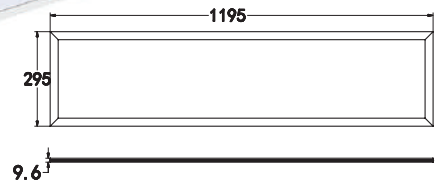
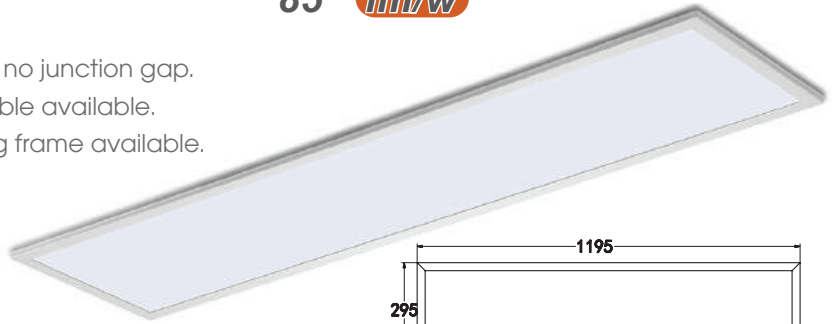


Plank

LED Panel Light

Aluminium frame in white color with no junction gap.
 Non dimmable/ 1-10V / Dali dimmable available.
 Suspension kit and surface mounting frame available.
 Options of 4000K, 6000K
 Lifetime L70: 50000hrs

85+ **lm/w**



Code	Input	Power	Current	CRI	CCT	Lumen	Dimensions
LG-PL30120-40W-4K	220-240V	40W	1050mA	80Ra	4000K	3280lm	295*1195*9.6mm
LG-PL30120-40W-6K	220-240V	40W	1050mA	80Ra	6000K	3280lm	295*1195*9.6mm

*Emergency version available upon request